

Metering gear pumps

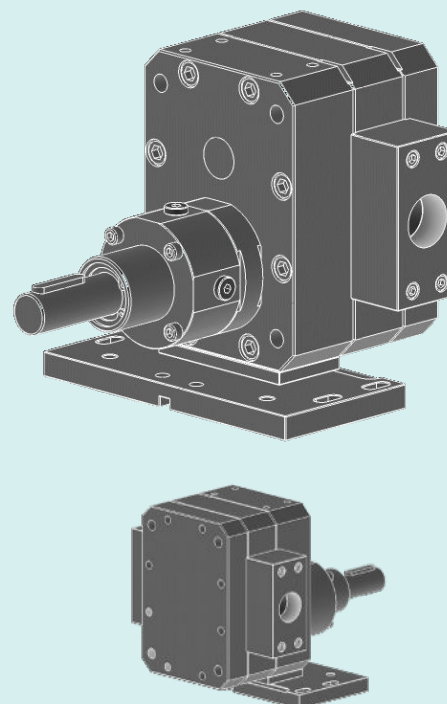
4610-3-1

Application fields

Silicones, glues, elastomers, polyurethanes, various resins, various hardeners, pigments, epoxy, polyesters, etc...

Strong points

- All parts are in tempered stainless steel
- Reduction of "dead zones" allowing for a better flushing
- New sealing technology combining lip seals and liquid barrier
- Sealing options quickly interchangeable
- Strong, coated drive shaft, held in place with 2 bearings and a axial thrust
- Centering pins making pump assembly easier and increasing its accuracy



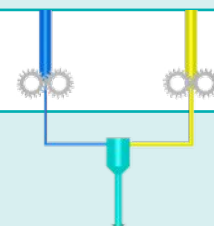
4610-3-1

Technical data

Sealing :	Lip seals and liquid barrier
Rotation speed :	From 10min ⁻¹ to 200min ⁻¹ , depending on the product involved
Standard rotation :	Clockwise rotation (A)
Temperature :	Max. 135°C
Output pressure :	Max. 100 bars (100cc/rev = max. 50 bars)
Input/Output :	On the center plate prepared for a connecting block G1"
Driving shaft diameter :	Ø25mm with a 8mm key
Mounting of the pump :	Screwed flush against the following plate with 4 M10 screws

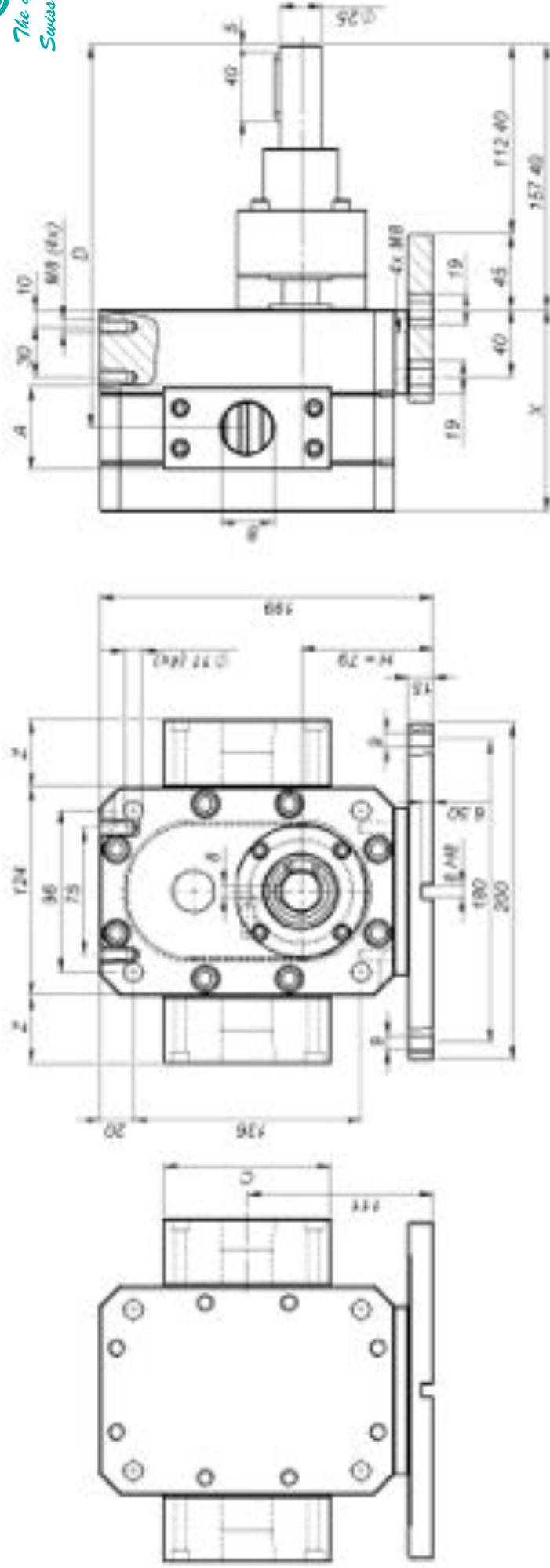
Available outputs

35.0cc/rev 50.0cc/rev 70.0cc/rev 100.0cc/rev



Options

- **(T2)** Entirely treated with ADLC
- **(Z)** Counterclockwise rotation
- **(H79)** Stand H=79mm
- **(H135)** Stand H=135mm



Outputs (cc/rev)	35.0	50.0	70.0	100.0
X (mm)	99.5	108.3	119.98	137.6
Z (mm)	35	40	40	40
D(mm)	217.6	222.0	227.9	236.7
A (mm)	40	49	49	49
B	G1''	G1''	G1''	G1''
C (mm)	100	100	100	100