

Pompes à engrenages

3611-3-1 / 3611-3-2

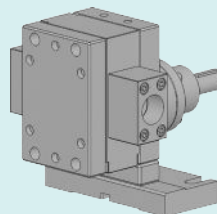
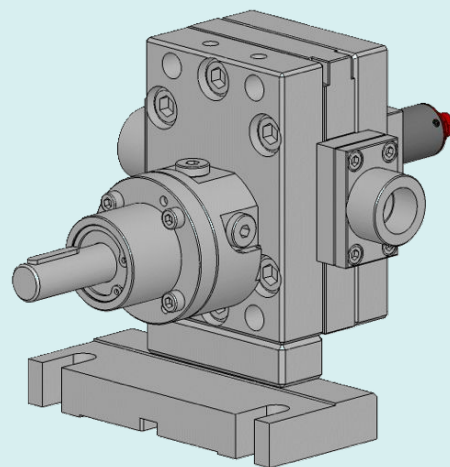
Application fields

This pump is mainly fitted for water or solvant based automotive and industrial paint.

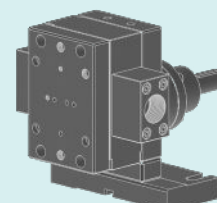
Points forts

Strong points

- All parts are in tempered stainless steel
- Reduction of "dead zones" allowing for a better flushing
- New sealing technology combining lip seals and liquid barrier
- Sealing options quickly interchangeable
- Strong, coated drive shaft, held in place with 2 bearings and a axial thrust
- Centering pins making pump assembly easier and increasing its accuracy
- Possibility to mount a bypass system (for type 3611-3-2)



3611-3-1



3611-3-2

Caractéristiques techniques

Technical data

Sealing :	Lip seals and liquid barrier
Rotation speed :	From 10min ⁻¹ to 200min ⁻¹ , depending on the product involved
Standard rotation :	Clockwise rotation (A)
Output pressure :	Max. 15 bars
Input/Output :	On the center plate, G1/4" (6.0cc/rev), G1/2" (10 + 16cc/rev), G3/4" (22cc/rev)
Driving shaft diameter :	Ø16mm with a 5mm key
Drive shaft height :	H=79mm

Débits disponibles

Available outputs

6.0cc/rev 10.0cc/rev 16.0cc/rev 22.0cc/rev

Options

- **(T2)** Entirely treated with ADLC
- **(H51)** Stand H=40mm compatible with group 2
- **(H135)** Stand H=135mm compatible with group 4
- **(FL)** Screwed by 4 M10 screws (3611-3-1)
- **(Z)** Counterclockwise rotation
- **(BB)** Bypass block (for type 3611-3-2)

