

Metering gear pumps

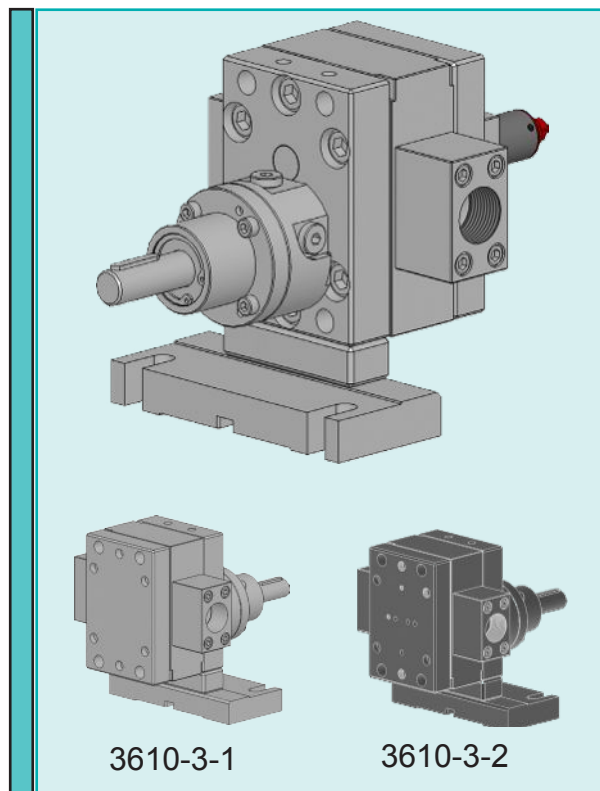
3610-3-1 / 3610-3-2

Application fields

Silicones, glues, elastomers, polyurethanes, various resins, various hardeners, pigments, epoxy, polyesters, etc...

Strong points

- All parts are in tempered stainless steel
- Reduction of "dead zones" allowing for a better flushing
- New sealing technology combining lip seals and liquid barrier
- Sealing options quickly interchangeable
- Strong, coated drive shaft, held in place with 2 bearings and a axial thrust
- Centering pins making pump assembly easier and increasing its accuracy



Technical data

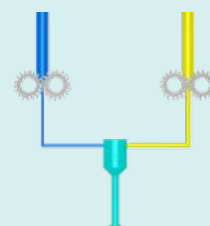
Sealing :	Lip seals and liquid barrier
Rotation speed :	From 10min ⁻¹ to 200min ⁻¹ , depending on the product involved
Standard rotation :	Clockwise rotation (A)
Temperature :	Max. 135°C
Output pressure :	Max. 100 bars (22cc/rev = max. 50 bars)
Input/Output :	On the center plate, G1/4" (6.0cc/rev), G1/2" (10 + 16cc/rev), G3/4" (22cc/rev)
Driving shaft diameter :	Ø16mm with a 5mm key
Drive shaft height :	H=79mm

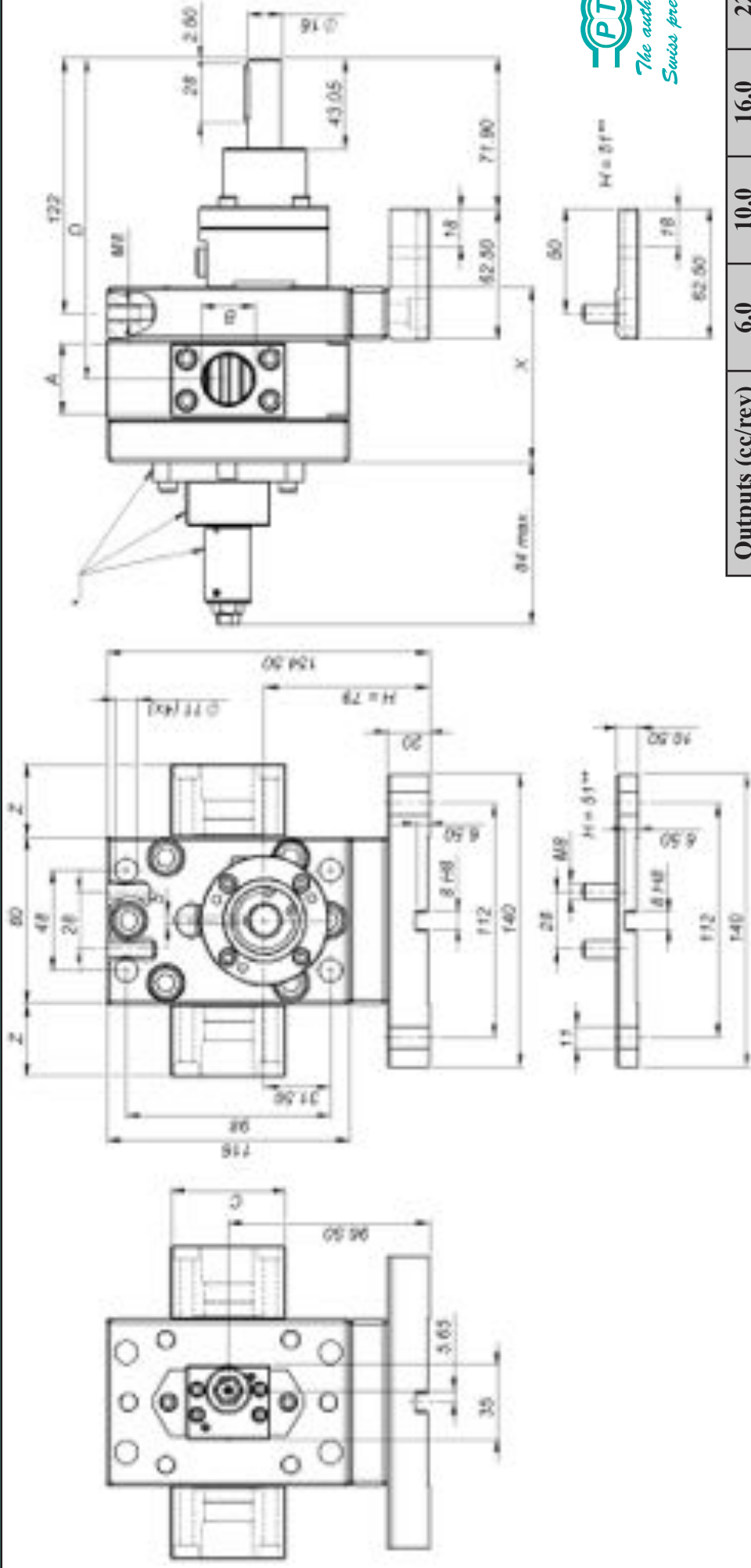
Available outputs

6.0cc/rev 10.0cc/rev 16.0cc/rev 22.0cc/rev

Options

- **(T2)** Entirely treated with ADLC
- **(H51)** Stand H=40mm compatible with group 2
- **(H135)** Stand H=135mm compatible with group 4
- **(FL)** Screwed by 4 M10 screws
- **(Z)** Counterclockwise rotation
- **(BB)** Bypass block (for type 3610-3-2)





Outputs (cc/rev)	6.0	10.0	16.0	22.0
X (mm)	55.5	62.5	73.0	83.5
Z (mm)	20.25	34.75	25	35
A (mm)	20	30	35	35
B	G 1/4"	G 1/2"	G 1/2"	G 3/4"
C (mm)	50	50	55	55
D (mm)	139.65	143.20	148.40	153.70

* Option BB (for type 3610-3-2)

** Option H51

POMTAVA S.A., Nonceruz 2 CH-2732 Reconville
Tel. ++41 (0)32 481 15 14 / Fax. ++41 (0)32 481 48 18 / www.pomtava.com / info@pomtava.com