

# Metering gear pumps

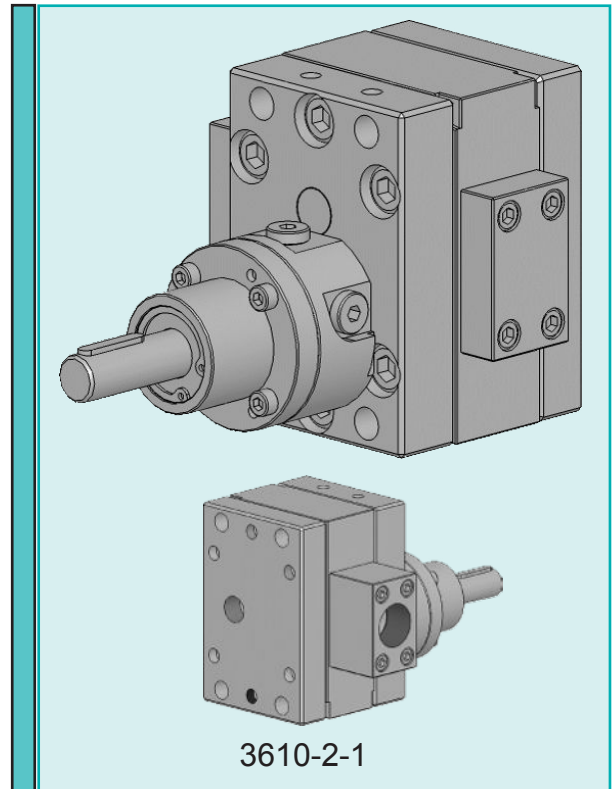
# 3610-2-1

### Application fields

Silicones, glues, elastomers, polyurethanes, various resins, various hardeners, pigments, epoxy, polyesters, etc...

### Strong points

- All parts are in tempered stainless steel
- Reduction of "dead zones" allowing for a better flushing
- New sealing technology combining lip seals and liquid barrier
- Sealing options quickly interchangeable
- Strong, coated drive shaft, held in place with 2 bearings and a axial thrust
- Centering pins making pump assembly easier and increasing its accuracy

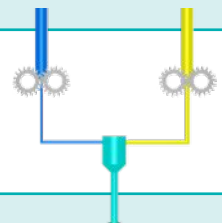


### Technical data

<b>Sealing :</b>	Lip seals and liquid barrier
<b>Rotation speed :</b>	From 10min <sup>-1</sup> to 200min <sup>-1</sup> , depending on the product involved
<b>Standard rotation :</b>	Clockwise rotation (A)
<b>Temperature :</b>	Max. 135°C
<b>Output pressure :</b>	Max. 100 bars (22cc/rev = max. 50 bars)
<b>Input/Output :</b>	Cone shape input Ø25.70mm on the rear cover. Output on the center plate and gears : G 1/4" (6cc/rev), G 1/2" (10 + 16cc/rev), G 3/4" (22cc/rev)
<b>Driving shaft diameter :</b>	Ø16mm with a 5mm key
<b>Mouting of the pump :</b>	Screwed flush against the following plate by 4 M10 screws

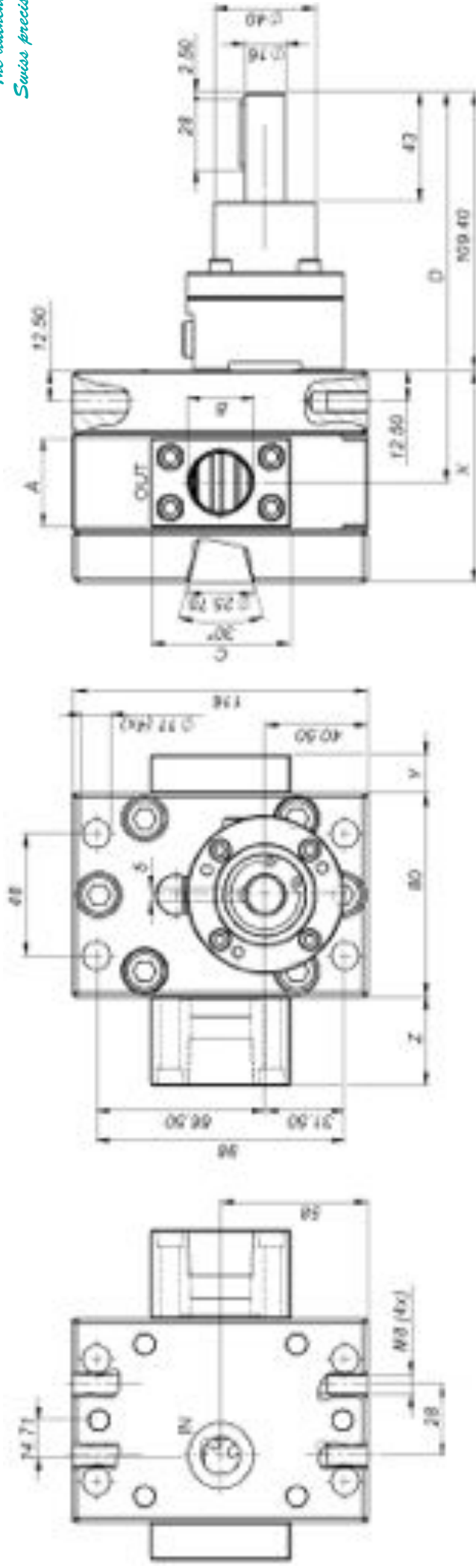
### Available outputs

6.0cc/rev    10.0cc/rev    16.0cc/rev    22.0cc/rev



### Options

- (T2) Entirely treated with ADLC
- (Z) Counterclockwise rotation



Outputs (cc/rev)	6.0	10.0	16.0	22.0
X (mm)	55.5	62.5	73.0	83.5
Y (mm)	11.75	11.75	15	15
Z (mm)	20.25	34.75	25	35
A (mm)	20	30	35	35
B	G 1/4"	G 1/2"	G 1/2"	G 3/4"
C (mm)	50	50	55	55
D (mm)	139.65	143.20	148.40	153.70

POMTAVA S.A., Nonceruz 2 CH-2732 Reconville

Tel. ++41 (0)32 481 15 14 / Fax. ++41 (0)32 481 48 18 / www.pomtava.com / info@pomtava.com