

# Metering gear pumps

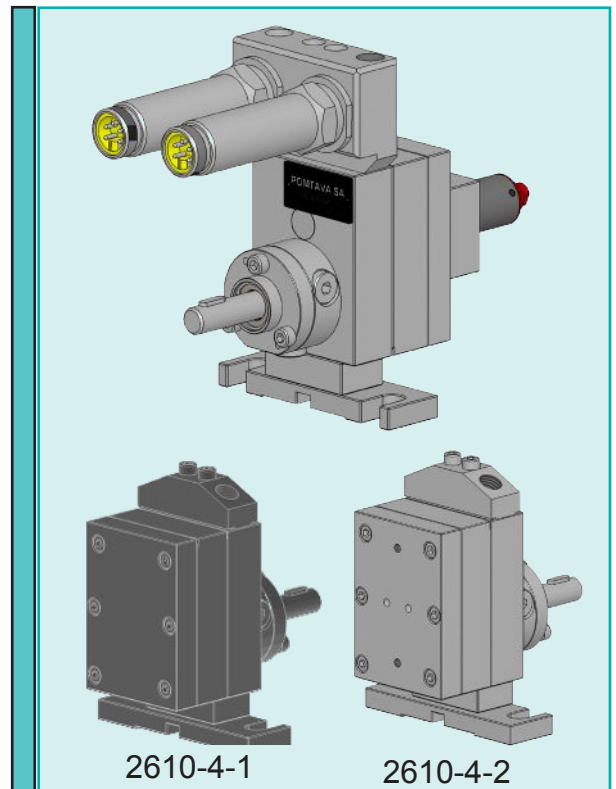
# 2610-4-1 / 2610-4-2

### Application fields

Silicones, glues, elastomers, polyurethanes, various resins, various hardeners, pigments, epoxy, polyesters, etc...

### Strong points

- All parts are in tempered stainless steel
- Reduction of "dead zones" allowing for a better flushing
- New sealing technology combining lip seals and liquid barrier
- Sealing options quickly interchangeable
- Strong, coated drive shaft, held in place with 2 bearings and a axial thrust
- Centering pins making pump assembly easier and increasing its accuracy
- Possibility to mount a bypass system (for type 2610-4-2)



### Technical data

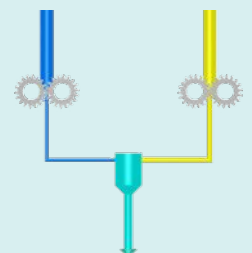
|                                 |  |
|---------------------------------|--|
| <b>Sealing :</b>                | Lip seals and liquid barrier   |
| <b>Rotation speed :</b>         | From 10min <sup>-1</sup> to 200min <sup>-1</sup> , depending on the product involved |
| <b>Standard rotation :</b>      | Clockwise rotation (A)   |
| <b>Temperature :</b>            | Max. 135°C   |
| <b>Output pressure :</b>        | Max. 100 bars (10 cc/rev = max. 50 bars)   |
| <b>Input/Output :</b>           | 2 holes Ø 6mm on the body of the pump. Delivered with connecting block G1/4"         |
| <b>Driving shaft diameter :</b> | Ø12mm with a 4mm key   |
| <b>Drive shaft height :</b>     | H=51mm   |

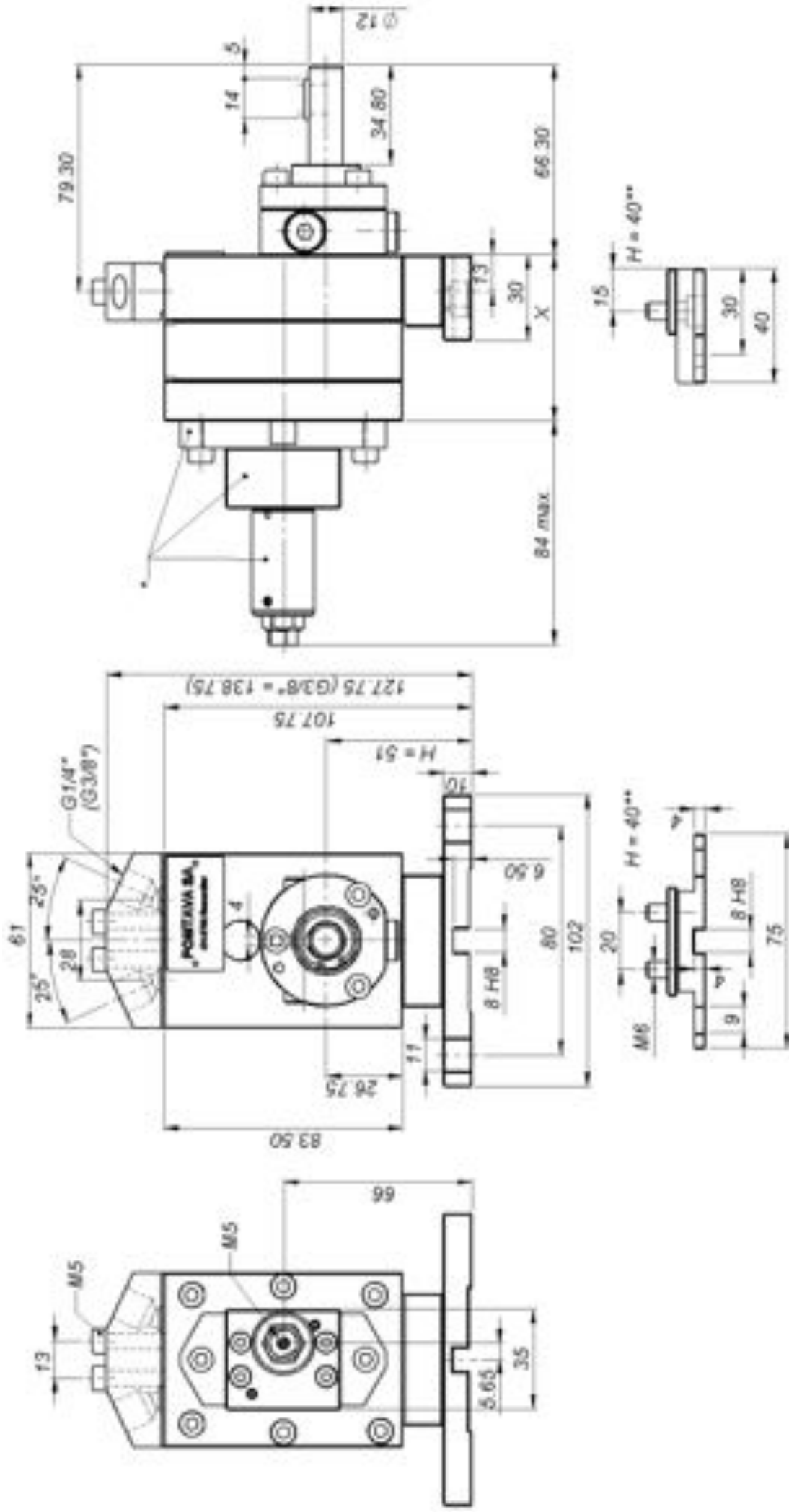
### Available outputs

1.2cc/rev    2.4cc/rev    3.0cc/rev    6.0cc/rev    10.0cc/rev

### Options

- **(T2)** Entirely treated with ADLC
- **(H40)** Stand H=40mm compatible with Group 1 and 2
- **(Z)** Counterclockwise rotation
- **(AZ)** Clockwise and counterclockwise rotation
- **(BB)** Bypass block (for type 2610-4-2)
- **(W)** Connecting block for 2 pressure sensors M28x1.5 (only with G1/4")
- **(AB38)** Connecting block G3/8"





\* Option bypass block (for type 2610-4-2)    \*\* Option H40

| Outputs (cc/rev) | 1.2  | 2.4  | 3.0  | 6.0  | 10.0 |
|------------------|------|------|------|------|------|
| X (mm)           | 41.2 | 45.4 | 47.5 | 58.0 | 72.0 |

POMTAVA S.A., Nonceruz 2 CH-2732 Reconviiler  
 Tel. ++41 (0)32 481 15 14 / Fax. ++41 (0)32 481 48 18 / www.pomtava.com / info@pomtava.com